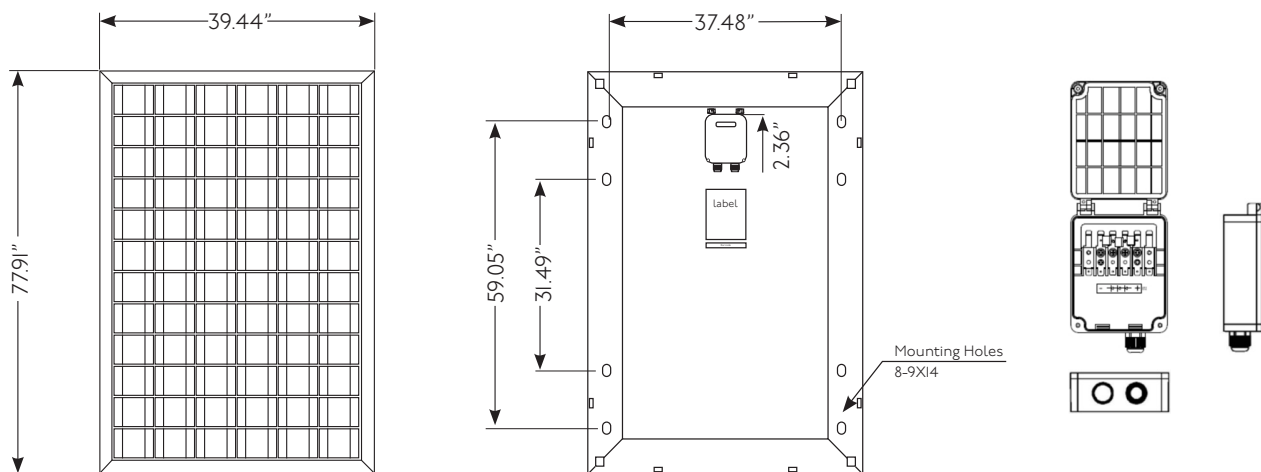




OGRE B400-J24 MONO SOLAR PANEL

OGRE solar panels are engineered for applications that require maximum power, reliability, and durability.

OGRE is field-proven in remote locations and harsh environments across the United States and Canada.



FEATURES:

- Extra heavy gauge, anodized aluminum frame is designed for ease of mounting and durability against elements like wind torque
- High efficiency back-contact monocrystalline cells
- Anti-reflective glass coating that increases sunlight absorption
- Premium cell materials ensure a long lasting module
- Power tolerance of $\pm 3\%$ means more power
- Rain tight junction box is approved for hazardous locations and includes 1/2" conduit knock-outs
- 25-year linear performance warranty
- 12-year product warranty



SPECIFICATIONS:

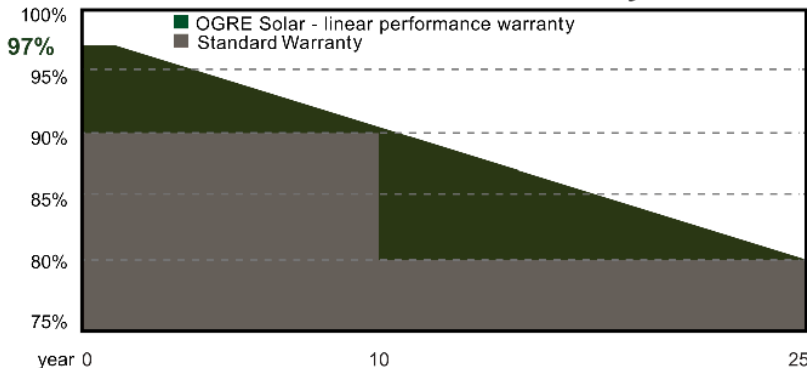
| | | | |
|-----------------------------|-----------|------------------------------|-------------------------|
| Max Power | 400 Watts | Current | +0.06%/K |
| Max Power Voltage | 41.79V | Cell Efficiency | 17.90% |
| Max Power Current | 9.58A | Number of Cells in Series | 72 |
| Open Circuit Voltage | 49.50V | Cell Type BC | Mono |
| Short Circuit Current (Isc) | 10.26A | Max Power Tolerance | ±5% |
| Maximum System Voltage | 600V | Weight | 49.60 lbs. |
| Series Fuse Rating | 15A | Dimensions | 39.45" x 77.91" x 1.77" |
| Power | -0.36%/K | Thickness, with Junction Box | 1.81" |
| Voltage | -0.36%/K | Frame Material Type | Anodized Aluminum Frame |

SOLAR PANEL BRACKETS:

- Size:
 - 1100*40*40
- Fits:
 - B180-J12 + J24
 - B200-J12 + J24
 - B220-J12 + J24
 - B270-J24
 - P330-J24
 - B400-J24



25-Year Linear Performance Warranty



CERTIFICATIONS, RATINGS, AND TESTING:

- Class 1, Div 2, Groups A, B, C, D
- Hazardous Locations Type IP65
- T3C@Ta= -40°F to 185°F
- Manufactured in ISO9001 Factory
- Flash data (sun simulator) & EL test is performed on every panel
- Rain tight junction box is approved for hazardous locations and has four 1/2" conduit / cable fitting knock-outs